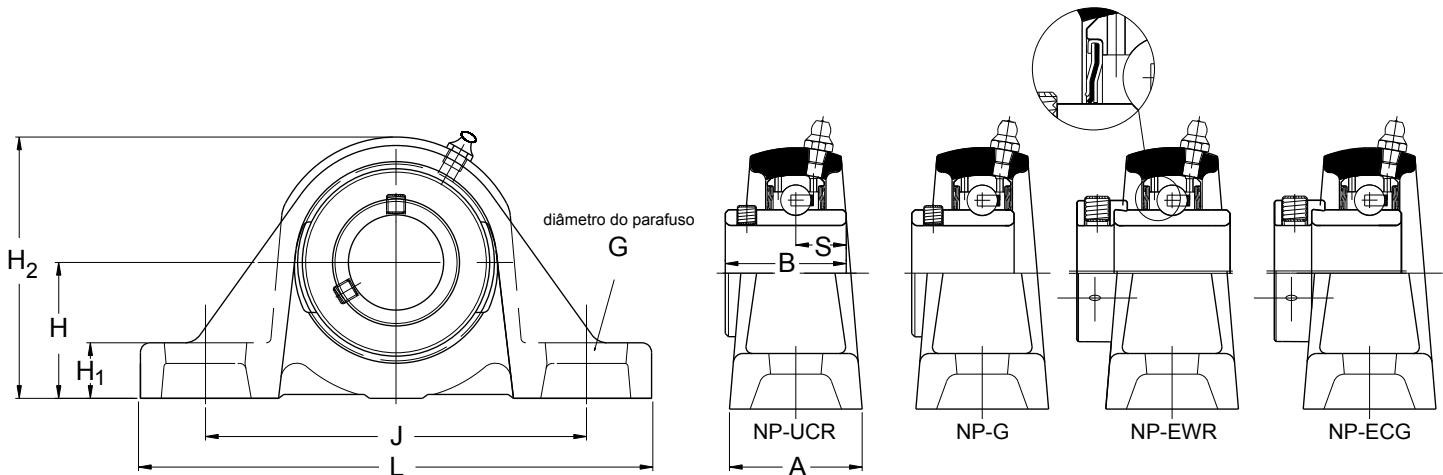




# Unidades de Rolamentos com Mancais Tipo Pedestal NP



Diâmetro do eixo		Conjunto	Série do rolamento opcional p/ montagem (+)				Dimensões em milímetros e polegadas										Mancal	Rolamento base	Peso Kg Médio
mm	polegada		UCR	EWR	G	ECG	L	J	H	H <sub>1</sub>	H <sub>2</sub>	A	B	S	G				
20	-	NP-20	+	+	+	+	127	95	33,30	14	65,30	34	30,96	12,70	10	NP-2	204 / 1220	0,66	
-	3/4	NP-3/4	+	+	+	+	5.000	3.740	1.311	0.551	2.571	1.338	1.219	0.500	3/8				
25	-	NP-25	+	+	+	+	140	105	36,50	16	71,50	37	34,11	14,27	10	NP-3	205 / 1225	0,85	
-	7/8	NP-7/8	+	+	+	+	150	110	38,10	17	76,20	38	35,15	15,24	10				
-	15/16	NP-15/16	+	+	+	+	5.512	4.134	1.437	0.623	2.815	1.456	1.343	0.562	3/8				
-	1	NP-1	+	+	+	+													
25	-	NP-25 R	+													NP-4	206 / 1230	1,22	
-	7/8	NP-30	+	+	+	+	161	120	42,80	17,50	82,30	41,80	38,10	15,88	12				
-	1	NP-7/8 R	+				6.338	4.725	1.685	0.689	3.240	1.645	1.500	0.625	1/2				
-	1.1/8	NP-1 R	+																
-	1.3/16	NP-1.1/8	+	+	+	+													
-	1.1/4	NP-1.3/16	+	+	+	+													
-	1.1/4	NP-1.1/4	+	+	+	+													
30	-	NP-30 R	+													NP-5	207 / 1235	1,61	
-	1.3/16	NP-35	+	+	+	+	166	129,50	47,60	17,50	92,60	46,60	42,88	17,48	12				
-	1.1/4	NP-1.3/16 R	+				6.535	5.098	1.874	0.689	3.645	1.834	1.688	0.688	1/2				
-	1.3/8	NP-1.1/4 R	+	+	+	+													
-	1.7/16	NP-1.3/8	+	+	+	+													
-	1.7/16	NP-1.7/16	+	+	+	+													
35	-	NP-35 R	+													NP-6	208 / 1240	1,94	
-	1.3/8	NP-40	+	+	+	+	180	143	49,20	18,50	98,20	51,60	49,23	19,05	12				
-	1.7/16	NP-1.3/8 R	+				7.036	5.623	1.937	0.728	3.866	2.091	1.938	0.750	1/2				
-	1.1/2	NP-1.7/16 R	+	+	+	+													
-	1.1/2	NP-1.1/2	+	+	+	+													
40	-	NP-40 R	+													NP-7	209 / 1245	2,36	
-	1.1/2	NP-45	+	+	+	+	190	147	54	17,50	108,50	54	49,23	19,05	12				
-	1.5/8	NP-1.1/2 R	+				7.480	5.783	2.126	0.689	4.272	2.126	1.938	0.750	1/2				
-	1.11/16	NP-1.5/8	+	+	+	+													
-	1.3/4	NP-1.11/16	+	+	+	+													
-	1.3/4	NP-1.3/4	+	+	+	+													
45	-	NP-45 R	+													NP-8	210 / 1250	3,19	
-	1.11/16	NP-50	+	+	+	+	206	159	57,10	19	116,10	60	51,59	19,05	16				
-	1.3/4	NP-1.11/16 R	+				8.110	6.260	2.248	0.748	4.571	2.362	2.031	0.750	5/8				
-	1.7/8	NP-1.3/4 R	+	+	+	+													
-	1.15/16	NP-1.7/8	+	+	+	+													
-	2	NP-1.15/16	+	+	+	+													
-	2	NP-2	+	+	+	+													
50	-	NP-50 R	+	+												NP-9	211	3,58	
-	1.7/8	NP-55	+	+			219	172	63,50	19	127	60	55,55	22,22	16				
-	1.15/16	NP-1.7/8 R	+				8.622	6.772	2.500	0.748	5.000	2.362	2.187	0.875	5/8				
-	2	NP-1.15/16 R	+	+															
-	2.3/16	NP-2 R	+	+															
-	2.3/16	NP-2.1/8	+	+															
-	2.3/16	NP-2.3/16	+	+															
55	-	NP-55 R	+													NP-10	212	5,10	
-	2.3/16	NP-60	+	+			241	185	69,80	22	141,30	70	65,07	25,40	16				
-	2.1/4	NP-2.3/16 R	+				9.488	7.283	2.748	0.866	5.563	2.756	2.562	1.000	5/8				
-	2.3/8	NP-2.1/4	+	+															
-	2.7/16	NP-2.3/8	+	+															
-	2.7/16	NP-2.7/16	+	+															
60	-	NP-60 R	+													NP-11	213	4,94	
-	2.3/8	NP-65	+	+			241	185	69,80	22	141,50	70	65,07	25,40	16				
-	2.7/16	NP-2.3/8 R	+				9.488	7.283	2.748	0.866	5.570	2.756	2.562	1.000	5/8				
-	2.1/2	NP-2.7/16 R	+																
-	2.1/2	NP-2.1/2	+	+															
65	-	NP-65 R	+	+												NP-12	215	7,19	
-	2.11/16	NP-70	+	+			270	216	82,50	25	164	70	77,77	33,35	20				
-	2.3/4	NP-2.11/16	+				10.623	8.504	3.248	0.984	6.456	2.756	3.061	1.313	3/4				
-	2.7/8	NP-2.3/4	+	+															
-	2.15/16	NP-2.7/8	+	+															
-	3	NP-2.15/16	+	+															
-	3	NP-3	+	+															