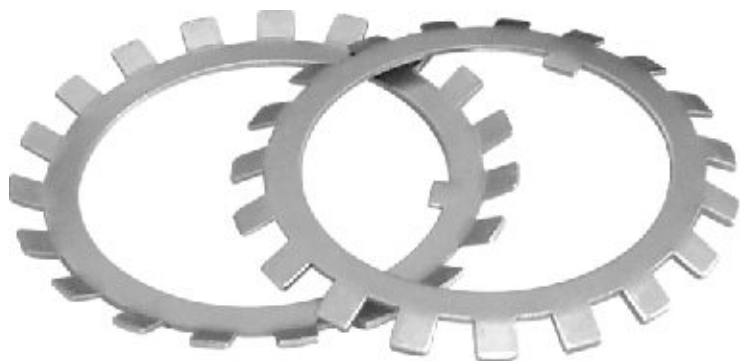


ARRUELA DE TRAVA

MB, MBL, MBA

É o acessório de trava das porcas KM e sempre acompanha as buchas de fixação quando montadas com essas porcas.

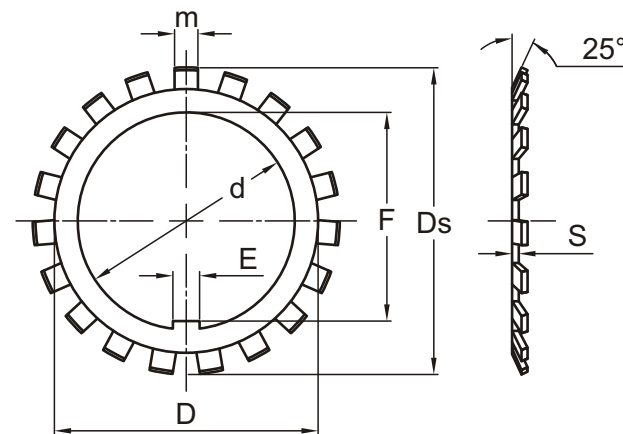
Material: Aço carbono.
Opcional em inox.



BGL
BERTOLOTO & GROTTA

ARRUELA

MB, MBL, MBA



Código	d mm	Ds mm	D mm	S mm	E mm	F mm	m mm	Peso Kg
MB 0	10	21	13.5	1.00	3	8.5	3	0.001
MB 1	12	25	17	1.00	3	10.5	3	0.002
MB 1 A	12	25	17	1.20	3	10.5	3	0.002
MB 2	15	28	21	1.00	4	13.5	4	0.002
MB 2 A	15	28	21	1.20	4	13.5	4	0.003
MB 3	17	32	24	1.00	4	15.5	4	0.002
MB 3 A	17	32	24	1.20	4	15.5	4	0.003
MB 4	20	36	26	1.00	4	18.5	4	0.004
MB 4 A	20	36	26	1.20	4	18.5	4	0.005
MB 5	25	42	32	1.20	5	23.0	5	0.005
MB 5 A	25	42	32	1.75	5	23.0	5	0.009
MB 6	30	49	38	1.20	5	27.5	5	0.006
MB 6 A	30	49	38	1.75	5	27.5	5	0.011
MB 7	35	57	44	1.20	6	32.5	5	0.009
MB 7 A	35	57	44	1.75	6	32.5	5	0.016
MB 8	40	62	50	1.20	6	37.5	6	0.010
MB 8 A	40	62	50	1.75	6	37.5	6	0.018
MB 9	45	69	56	1.20	6	42.5	6	0.012
MB 9 A	45	69	56	1.75	6	42.5	6	0.021
MB 10	50	74	61	1.20	6	47.5	6	0.013

Código	d mm	Ds mm	D mm	S mm	E mm	F mm	m mm	Peso Kg
MB 10 A	50	74	61	2.65	6	47.5	6	0.023
MB 11	55	81	67	1.50	8	52.5	7	0.022
MB 11 A	55	81	67	2.65	8	52.5	7	0.037
MB 12	60	86	73	1.50	8	57.5	7	0.024
MB 12 A	60	86	73	2.65	8	57.5	7	0.040
MB 13	65	92	79	1.50	8	62.5	7	0.028
MB 13 A	65	92	79	2.65	8	62.5	7	0.050
MB 14	70	98	85	1.50	8	66.5	8	0.031
MB 14 A	70	98	85	2.65	8	66.5	8	0.053
MB 15	75	104	90	1.50	8	71.5	8	0.035
MB 15 A	75	104	90	2.65	8	71.5	8	0.058
MB 16	80	112	95	1.75	10	76.5	8	0.049
MB 16 A	80	112	95	2.65	10	76.5	8	0.066
MB 17	85	119	102	1.75	10	81.5	8	0.056
MB 17 A	85	119	102	2.65	10	81.5	8	0.076
MB 18	90	126	108	1.75	10	86.5	10	0.068
MB 18 A	90	126	108	2.65	10	86.5	10	0.087
MB 19	95	133	113	1.75	10	91.5	10	0.071
MB 19 A	95	133	113	2.65	10	91.5	10	0.094
MB 20	100	142	120	1.75	12	96.5	10	0.082
MB 20 A	100	142	120	2.65	12	96.5	10	0.110
MB 21	105	145	126	1.75	12	100.5	12	0.079
MB 22	110	154	133	1.75	12	105.5	12	0.101
MB 23	115	159	137	2.00	12	110.5	12	0.105
MB 24	120	164	138	2.00	14	115.0	12	0.095
MBL 24	120	148	135	2.00	14	115.0	12	0.070
MB 25	125	170	148	2.00	14	120.0	12	0.115
MB 26	130	175	149	2.00	14	125.0	12	0.100
MBL 26	130	158	145	2.00	14	125.0	12	0.090
MB 27	135	185	160	2.00	14	130.0	14	0.145
MB 28	140	192	160	2.00	16	135.0	14	0.125
MBL 28	140	170	155	2.00	16	135.0	12	0.110
MB 29	145	202	171	2.00	16	140.0	14	0.155
MB 30	150	205	171	2.00	16	145.0	14	0.135
MBL 30	150	186	170	2.00	16	145.0	14	0.145
MB 31	155	212	182	2.65	16	147.5	16	0.255
MB 32	160	217	182	2.65	18	154.0	16	0.235
MBL 32	160	197	180	2.65	18	154.0	14	0.155
MB 33	165	222	193	2.65	18	157.5	16	0.275
MB 34	170	232	193	2.65	18	164.0	16	0.245
MBL 34	170	209	190	2.65	18	164.0	16	0.180
MB 36	180	242	203	2.65	20	174.0	18	0.270
MBL 36	180	215	200	2.65	20	174.0	16	0.185
MB 38	190	252	214	2.65	20	184.0	18	0.275
MBL 38	190	228	210	2.65	20	184.0	16	0.190
MB 40	200	262	226	2.65	20	194.0	18	0.300
MBL 40	200	248	222	2.65	20	194.0	18	0.240
MB 44	220	292	250	3.00	24	213.0	20	0.440
MB 48	240	312	270	3.00	24	233.0	20	0.465
MB 52	260	342	300	3.00	28	253.0	24	0.620
MB 56	280	362	320	3.00	28	273.0	24	0.665